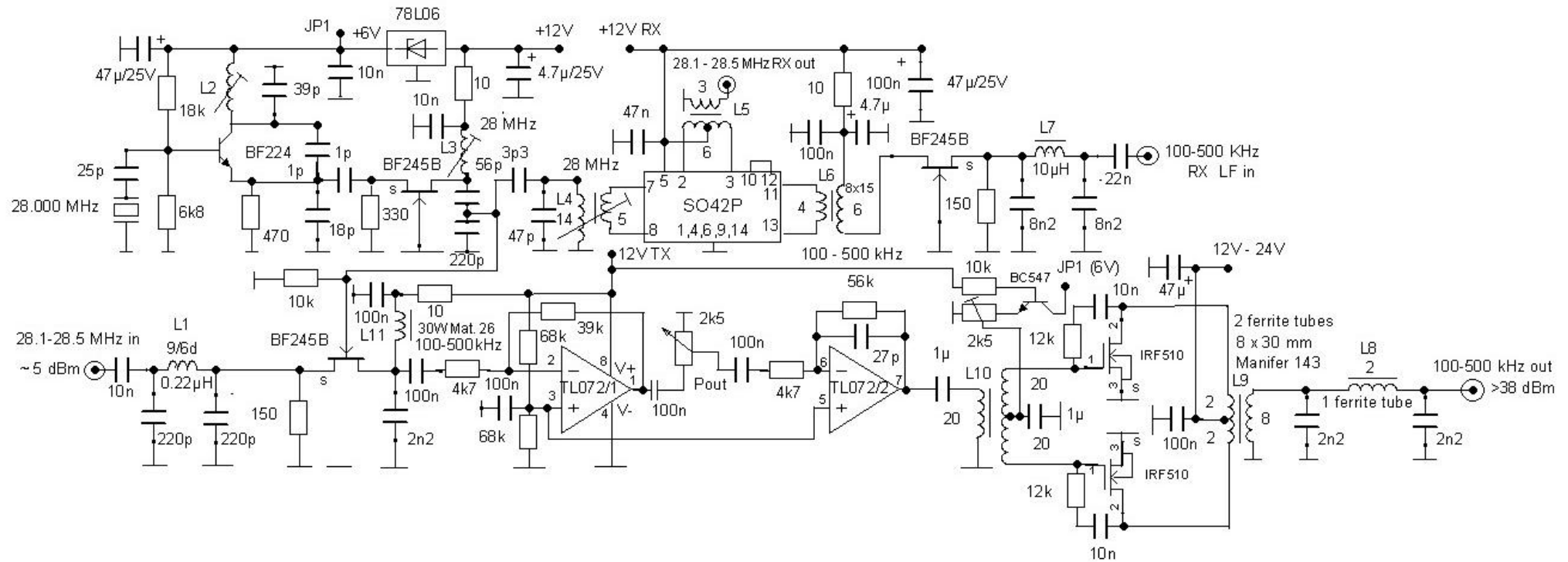


10m - LF Linear Transverter



Experimental setup of the inductors:

2013-10-25 DL8YCA



L 7



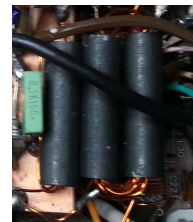
L3, L4



L5



L6



L8, L9



L10



L11